



The lightweight, compact and reliable AL-S series of AOD LED street lights is made by integrating the LED lamps and the case into one piece.

High brightness LED lamps are adopted to make AOD LED street light, the LED lamp efficacy is up to 130lm/W. The usage of first lens and tempered glass has solved the problem of light loss and chromatic aberration caused by using second lens, it assures the uniformity of illuminance and chromaticity on the ground surface. The unique eutectic bounding of AOD LED street light assures perfect LED thermal management from chip to external heat sinking mechanisms, the junction temperature is lower than 65°C, effectively controlling the light decay and prolonging the lifetime more than 50,000 hrs. The accurate first lens and reflector technology which enhances the utilization ratio of light output assures the precise control of the light distribution, ideal brightness uniformity on road surface, totally meeting the technical standards of our country. The unique LED lamp protection technology assures the LED street light still works in case single LED lamp is broken.



The high reliable and intelligent driver and professional heat sink design technology assures the working temperature of the electronic components is not higher than 60°C, the power efficiency is very high, life time is more than 50,000 hrs. The wide-range supply voltage assures the universality of driver. The proprietary protective circuit enhances the reliability and capacity of resisting disturbance on the whole. Proprietary constant current management technology assures high stability. Meanwhile, such electronic driver design also provides several flexible and advanced control functions such as timer control, temperature control, photo sensor control, acoustic sensor control and internet control etc.

AOD LED street lights have been found broad applications. They can be installed on sides of highways, main roads, large public buildings and greeting roads as well as various roads in downtown or commercial central areas and residential communities. In addition, they are applicable for illumination of buildings, squares, goods yards, parking lot etc.

**Integral High Efficacy LED street light power series**

Part No.	Rated Wattage	WorkinG Voltage	Working Frequency	Net Weight	Case Model
AL-S03H	30W	AC 110/220V	50/60Hz	3.6kg	C4
AL-S05H	50W	AC 110/220V	50/60Hz	3.6kg	C4
AL-S05H	50W	AC 110/220V	50/60Hz	10kg	C1
AL-S08H	80W	AC 110/220V	50/60Hz	10kg	C1
AL-S10H	100W	AC 110/220V	50/60Hz	10kg	C1



AL-S13H	130W	AC 110/220V	50/60Hz	10kg	C1
AL-S13H	130W	AC 110/220V	50/60Hz	12kg	C2
AL-S15H	150W	AC 110/220V	50/60Hz	12kg	C2
AL-S18H	180W	AC 110/220V	50/60Hz	12kg	C2
AL-S20H	200W	AC 110/220V	50/60Hz	12kg	C2

**Notes:** Besides above standard power series , custom-made products is available also.

For more product details, please visit us at [www.aodevices.com](http://www.aodevices.com)

### AL-S05H Parameter

Item	Symbol	Min.	Typical	Max.	Conditions	Notes
Working Voltage(V)	Vin	175	220	265		
Working Frequency(Hz)	f	47	50	63		
Rated Wattage(W)	P	45	50	55	AC220V, 25°C	
Power Factor	PF	0.88	0.90	0.98	AC220V, 25°C	
Luminous Flux(lm)	Φ		4500			
Start Time(ms)				5000	AC220V, 25°C	
Color Temperature(K)	CCT	3500	-	6500		Optional <sup>1</sup>
Working Temperature(°C)	Temp	-20		45	AC220V	
Adaptive Humidity (%)	RH			90		
Lifetime(hrs)	MTTF		50000		AC220V, 25°C	influenced by ambient
Net Weight(kg)	weight		3.6			Without package
Interface size(mm)			Φ60 <sup>2</sup>			
IP Class	IP Class	IP65				

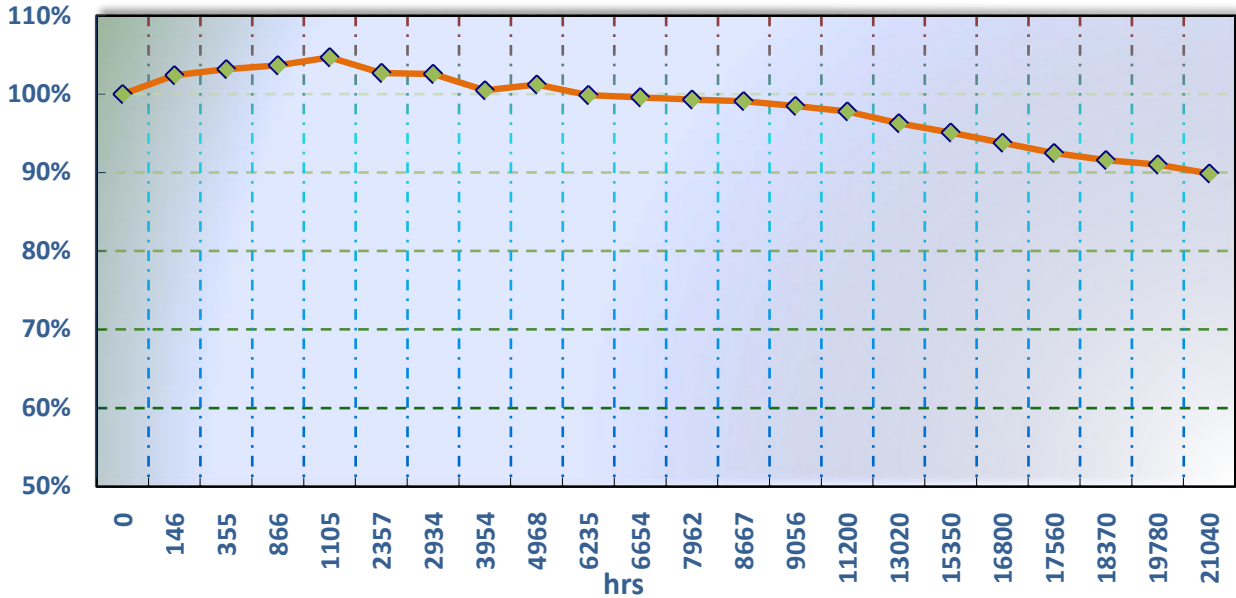
**Notes:** 1, AOD Standard Color Temperature:

3500±200K、4000±250K、4500±250K、5000±300K、5700±350K、6500±500K

2, Custom-made standard interface connector is accepted by AOD in case it is in need.

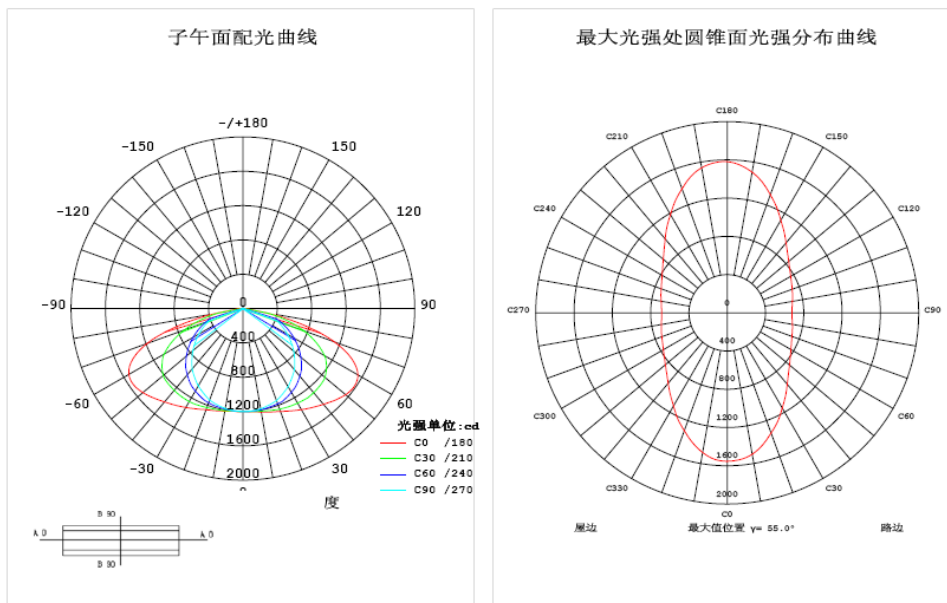
## Luminous Flux Maintenance Chart

### Actual Measured Luminous Flux Degradation Chart



**Remarks:** This chart shows the actual testing data of many streets that exactly reflects luminous flux degradation of LED street lights in use. It is noticeable that natural environment conditions such as weather, temperature and so on can affect illumination intensity to some degree in actual testing. We can see that the maintaining luminous rate of our street lights is above 95% after working for 3 years without maintenance.

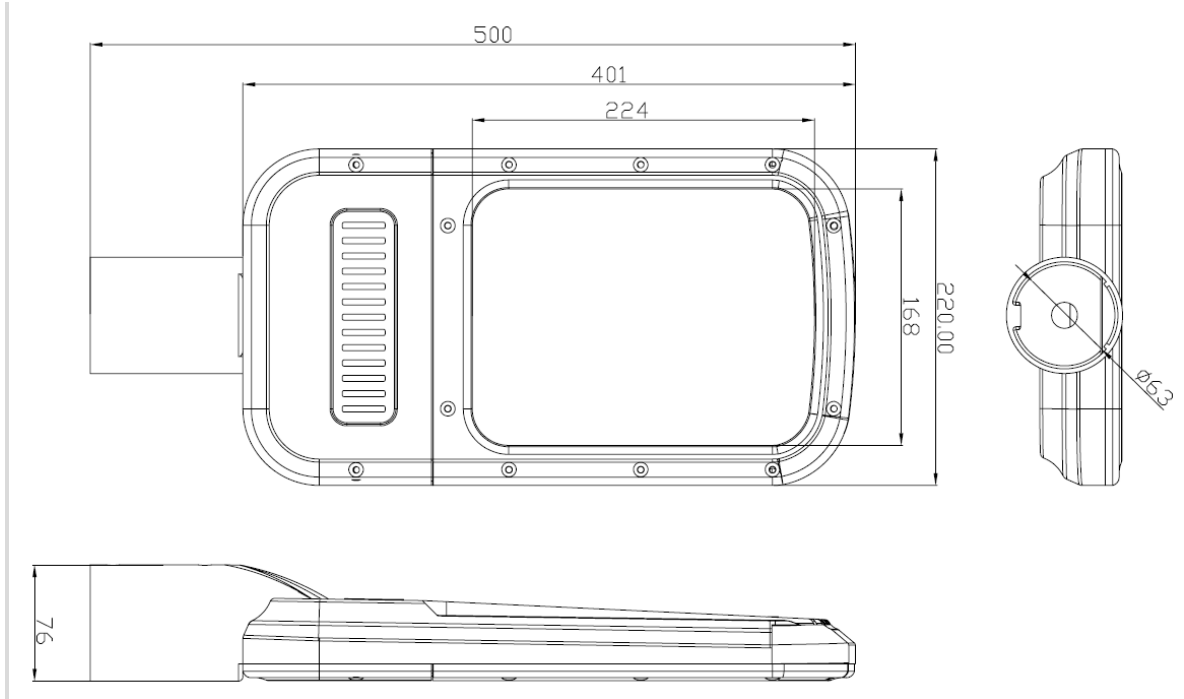
## AL-S05H Light Distribution Chart





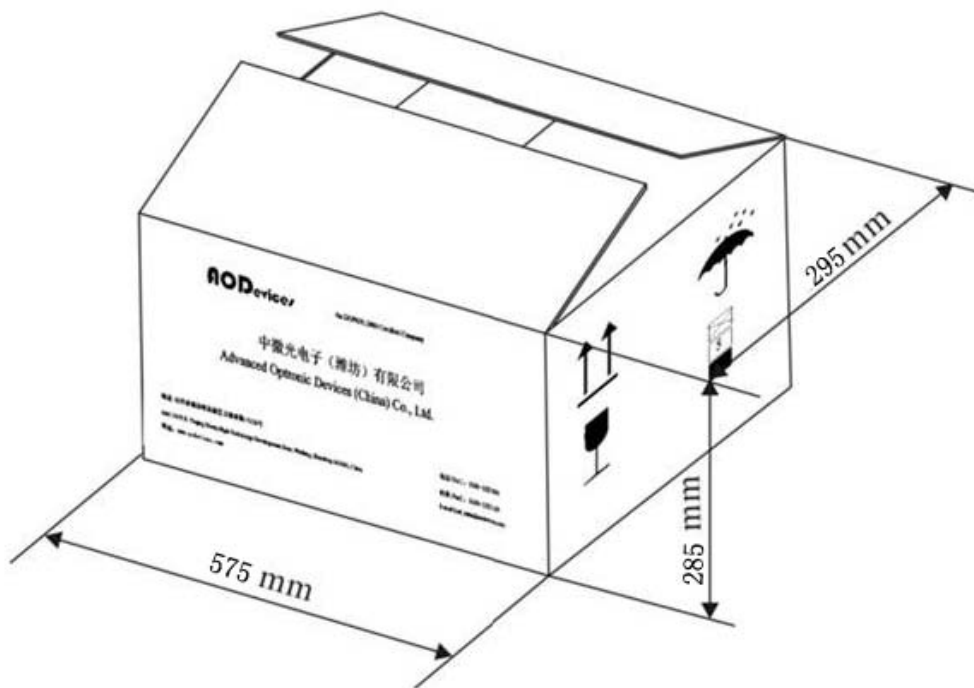
Remarks: The bat-wing light distribution forms a rectangular facula in the effective area on the road, ensuring the illumination uniformity in the longitudinal direction is above 0.5 and the total illumination uniformity on the road is above 0.4.

### AL-S05H Structural Specification



Case Model: C4

### AL-S05H Packing Dimension



**Installation Instructions:**

1. The input wire of LED street light is triple core sheath one, in which the red line is joined to the live wire, the blue line is jointed to zero wire and the flexible line is jointed to the ground wire.
2. Inserting the  $\Phi 60$  type lamp pole into the LED street light's interface, then fastening the inner hexagon screw. Meanwhile pay attention to keep the lamp balance.
3. Assuring the LED street light works under the rated voltage, otherwise the non-restorable damage will be made once the supply voltage is beyond the working voltage range.

**Attention:** 

1. The ground wire must be safely earthed to guarantee the reliability!
2. The joints of wires must be covered with insulating tape and be waterproof!
3. Screws must be installed firmly to avoid the LED street light drifting!
4. The supply voltage must not be beyond AC175~265V

**After Sales Services:**

If you have any question or problem in the process of unpacking, installation and use, please contact our Customer Service Department. We will respond within 2 hours, and if necessary, we will promptly send our maintenance professionals to your site as quickly as possible to solve your trouble and restore to the normal working condition.

AOD takes guarantee responsibility unless otherwise specified in the following circumstances:

- ✧ The breakdown or the damage is caused by incorrect installation, failure operation or use under the Not- specified working conditions.
- ✧ The damage is caused by accident, abuse or misuse. The breakdown or the damage is caused by customers' unsuitable safekeeping or transportation.
- ✧ The breakdown or the damage are caused by customers' disassembly or change the spare parts to which are not approved by AOD
- ✧ The breakdown or the damage is caused by man-made or natural disaster

AOD insists on improving our production performance and insists on innovation constantly. The information contained in this document is the latest data at the deadline for edition and subject to change without notice.

AOD reserves the right to the interpretation of this document. The pictures shown here is indicative only. If there is discrepancy between the pictures and the actual products, the actual products shall govern.