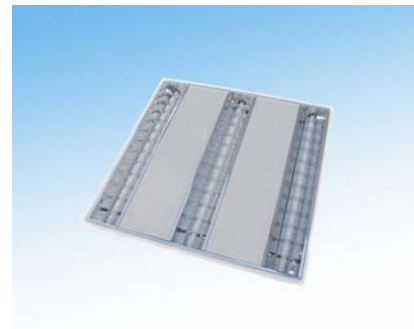


AOD LED tube light is an environment-friendly semiconductor light which possesses a number of advantages over the conventional ones such as no flashing, comfortable light and high color-rendering index that are favorable for the user's eyesight and physical health. With general-standard design of the structure, AOD T5 LED tube light is applicable for installation in recessed ceiling luminaire like T5 Grille Lamp, and widely used in the common interior lighting places for directly replacing the conventional T5 fluorescent tube light.



Characteristics

- **Energy saving:** Compared with the conventional fluorescent light, the energy saving rate is over 60% under the same illumination.
- **Eco-friendly:** No UV or IR, no mercury or other harmful materials.
- **Long Lifetime:** 50000hrs to 80000hrs, 10 times longer than the conventional fluorescent tube light.
- **High Luminous efficacy:** using the high luminous efficacy and high reliability SMD light source.
- **Easy to install:** totally matching with the fixture of the conventional fluorescent tube light.

Recommended Applications

AOD T5 LED tube lights are suitable for many kinds of applications, such as the general illumination for homes, offices, restaurants, hotels, meeting rooms, factories, malls, supermarkets, underground garages, warehouses, parking lots, subway stations etc., almost anywhere you need general indoor lighting.

Product Categories

Part No.	LED Power	Working Voltage of External Power Supply(EPS)	Tube Quantity Driven by per EPS	Weight	Lamp Base/ Tube Diameter
AL-L06-CF(1T1)	6W	85~265VAC	1 piece	75±10g	G5/T5
AL-L06-CF(1T2)		85~265VAC	2 pieces		G5/T5
AL-L06-CF(1T3)		85~265VAC	3 pieces		G5/T5
AL-L09-CF(1T1)	9W	85~265VAC	1 piece	105±10g	G5/T5
AL-L09-CF(1T2)		85~265VAC	2 pieces		G5/T5
AL-L12-CF(1T1)	12W	85~265VAC	1 piece	190±10g	G5/T5
AL-L12-CF(1T2)		85~265VAC	2 pieces		G5/T5

For more product details, please visit us at www.aodevices.com

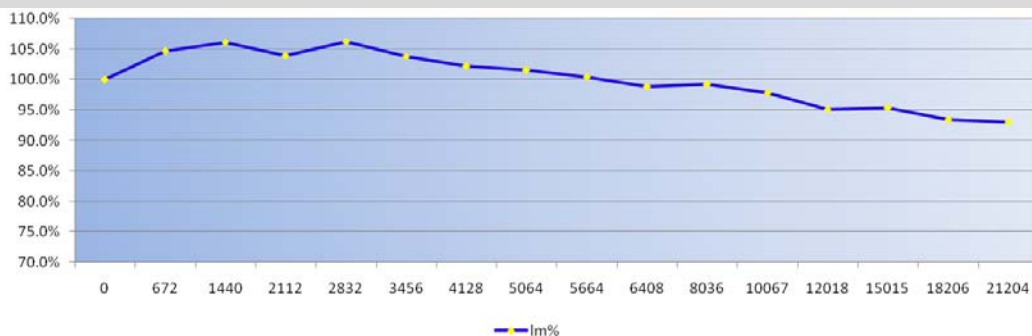


Technical Specifications

Item	AL-L06-CF(1T1)	AL-L06-CF(1T2)	AL-L06-CF(1T3)	Text Conditions	Notes
Working Voltage of EPS (V)	AC 85~265				
Tube Quantity Driven by per EPS	1 piece	2 pieces	3 pieces		
Working Frequency (Hz)	50~60				
LED Power (W)	6.0±0.5	12.0±1.5	18.0±2.0	AC220V, 25°C	
Input Power (W)	7.0±1.0	14.0±1.5	21.0±2.0	AC220V, 25°C	
Power Factor	0.90			AC220V, 25°C	
Luminous Flux (lm) (Typ.)	565	1130	1695	CCT: 6300±200K	
CRI	75~80				
CCT (K)	2700~6500				Optional ¹
Working Temperature (°C)	-20~45			AC220V	
Lifespan (hrs)	50000			AC220V, 25°C	Affected by operation environment
Weight (g)	75±10				Net weight per piece
Dimensions	L549×D16mm				
Interface/Diam.	G5 / T5				

Note: The CCT range of AOD LED tube lights: 2700±150K, 3000±180K, 3500±200K, 4000±250K, 4500±250K, 5000±300K, 5700±300K, 6500±500K.

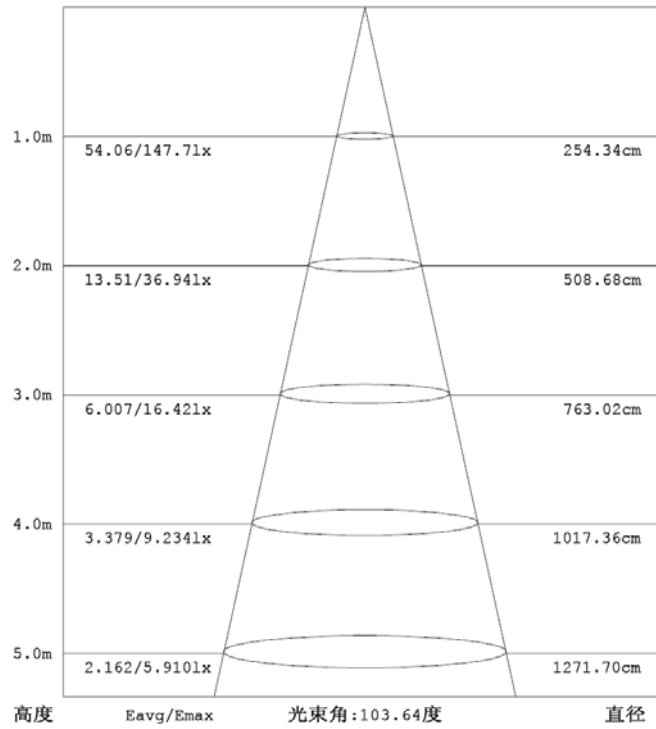
Lumen Depreciation Chart



Note: This chart shows the actual test data, which clearly reflects the lumen depreciation of AOD LED tube light. These data were obtained through the test samples worked at 220VAC at the general room temperature and lighted constantly in a long-term. Observers measured the luminous flux, luminous efficiency and other parameters once a month.

Illuminance Diagram

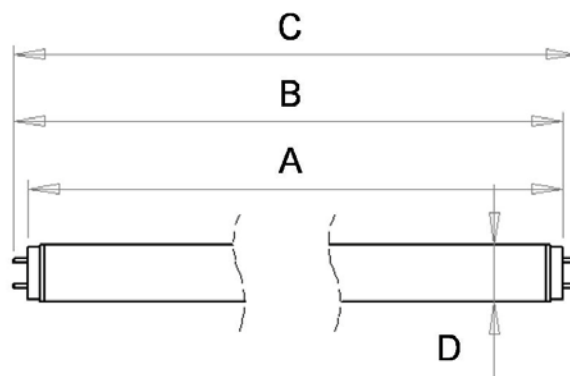
Lighting area and the average illuminance under different projection distance



Illuminance Diagram for AL-L06-CF

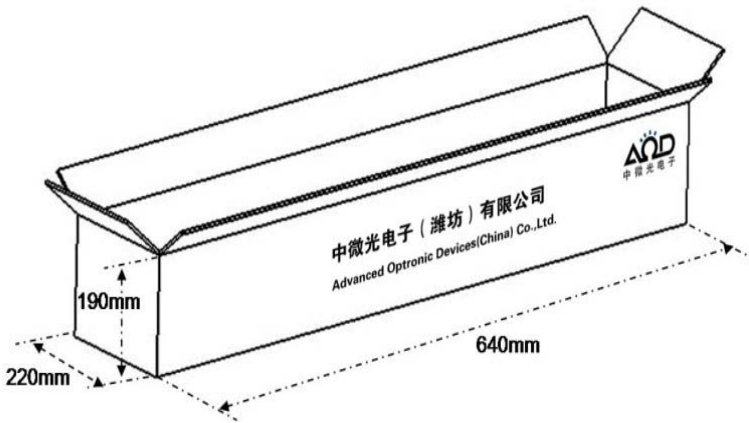
Note: Tested in standard Distribution Photometer laboratory (full dark background). Distance between the LED Tube Lights and detector is 9.0m; CCT: 6300±200K and Ra:80~75 for the sample tested.

Dimensions



A Max.	B Max.	C Max.	D Max.
549 mm	556.5 mm	564 mm	16.2 mm

Package



Packed in carton, which is divided into 4 layers with 5 pieces per layer, totally 20 pieces LED tubes per carton.

The bottom and top of the carton and the space between layers are fixed and protected by foam pads.

Installation Guide

➤ Recommended installation steps:

1. Remove the ballast and the starter of from the T5 Grille Lamp fixture.
2. Install and fix with screw the external power supply (EPS) of T5 LED tube light into the T5 Grille Lamp fixture.
3. Connect the wires according to the guide below (Please pay attention to the “+” and “-” marks).
4. Turn on the switch to light the tube.

Note:

1. Introduction of T5 Grille Lamp fixture:

Type	Dimension of the Lamp fixture (L×W)	Ceiling scuttle	T5 LED Tube Light	Quantity of light tubes per Lamp fixture
600×200 T5 Grille Lamp fixture	598mm×180mm	585mm×170mm	AL-L06-CF(1T1)	1 piece
600×300 T5 Grille Lamp fixture	598mm×298mm	585mm×285mm	AL-L06-CF(1T2)	2 pieces
600×600 T5 Grille Lamp fixture	598mm×598mm	585mm×585mm	AL-L06-CF(1T3)	3 pieces
600×600 T5 Grille Lamp fixture	598mm×598mm	585mm×585mm	AL-L06-CF(1T2)	4 pieces

2. Introduction of External Power Supply(EPS):

Type	Dimension (L×W×H)	T5 LED tube light Matched
T5 EPS(06)-one diver for one tube	153mm×40mm×30mm	AL-L06-CF(1T1)
T5 EPS(06)-one diver for two tubes	153mm×40mm×30mm	AL-L06-CF(1T2)
T5 EPS(06)-one diver for three tubes	153mm×40mm×30mm	AL-L06-CF(1T3)

Note: The distance between the installing holes of EPS is 142mm. M4 screws should be used for fix the EPS into the Lamp fixture.

➤ Schematic wiring diagram

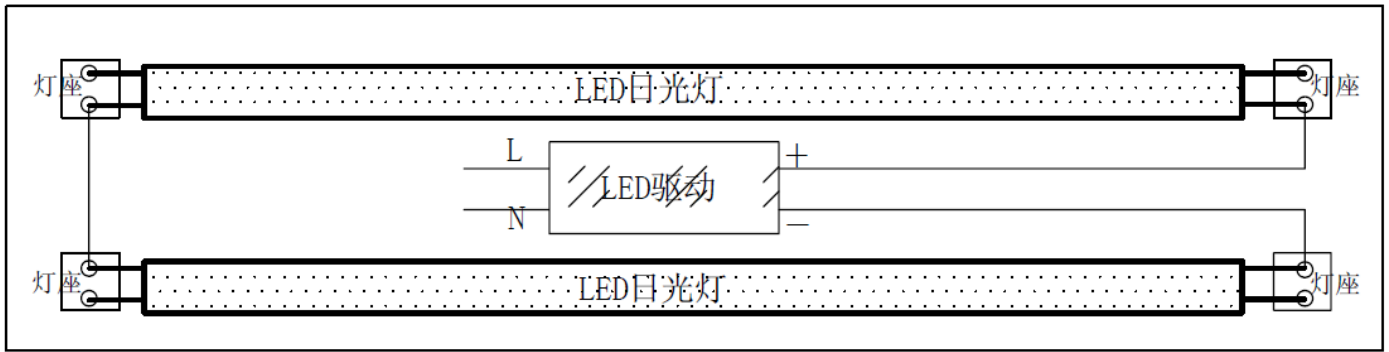


Diagram for T5 Grille Lamp fixture (Double tubes)

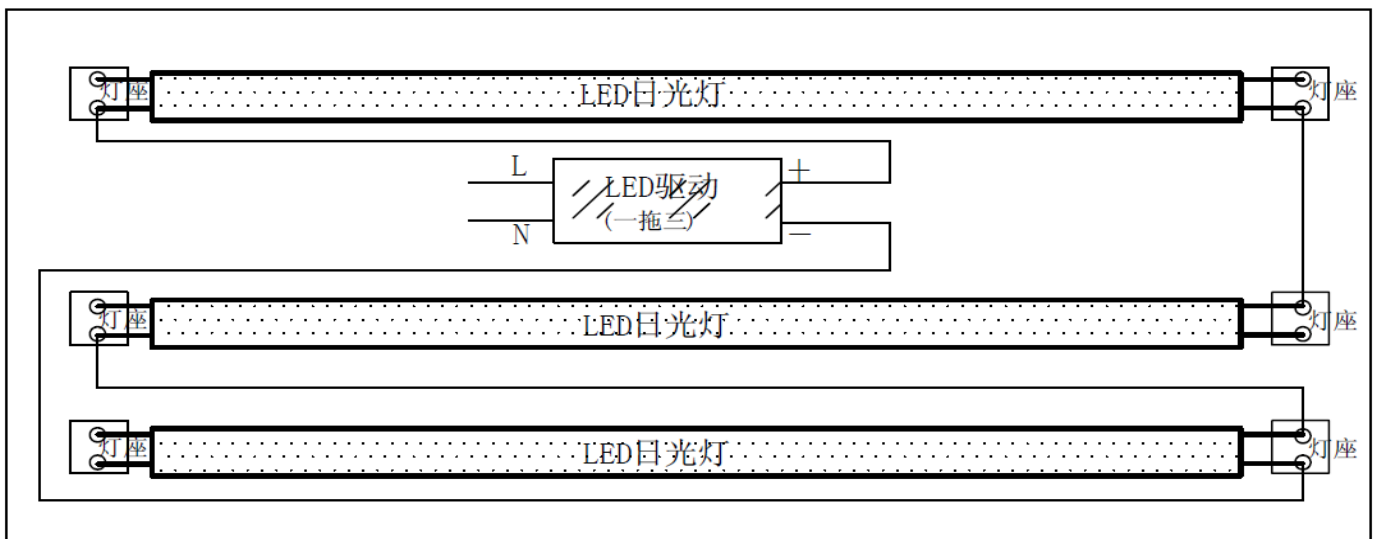


Diagram for T5 Grille Lamp fixture (Three tubes)

Attention:



1. The tube light should be firmly fixed.
2. The connection of the wires should be done by professional electricians referring to the installation guide to avoid dangers.
3. The operating voltage cannot exceed the specified range (85~265VAC).
4. Disassembly of the light without permission is forbidden. For any problem please contact our service department.



After-sale service

If you have any questions or problems in the process of unpacking, installation and use, please contact our Customer Service Department. We will respond within 2 hours, and if necessary, we will promptly send our maintenance professionals to reach your site as quickly as possible to solve your trouble and restore to the normal working condition.

AOD takes guarantee responsibility unless otherwise specified in the following circumstances:

- ◇ The breakdown or the damage is caused by incorrect installation, failure operation or use under the Not- specified working conditions.
- ◇ The damage is caused by accident, abuse or misuse. The breakdown or the damage is caused by customers' unsuitable safekeeping or transportation.
- ◇ The breakdown or the damage is caused by customers' disassembly or changing the spare parts to which are not approved by AOD.
- ◇ The breakdown or the damage is caused by man-made or natural disaster.

Customer Service Center: +86-536-2221111

AOD will constantly improve our production performance and insist on innovation. The information contained in this document is the latest data at the deadline for edition and subject to change without notice.

AOD reserves the right to the interpretation of this document. The pictures shown here is indicative only. If there is inconsistency between the pictures and the actual product, the actual product shall govern.